



# KING TONY

## PROFESSIONAL TOOLS



# NEW BRICK PROMOTION, TOOLS AND MORE»»



**FREE**  
SEE INSIDE FOR DETAILS!

# WINTER 22»»

Offers only available at participating KING TONY dealers / wholesale merchants

Prices offered valid for period of promotion only 10th June 2022 until 31st August 2022. Prices exclude GST.



# KING TONY

## NEW KING TONY BRICK PROMOTION!

**BONUS KING TONY TOOL DIAMOND BLOCK SET WITH SELECT PURCHASES**



### KING TONY 2 PCE 2W+5W FOLDABLE LAMP SET



- » 2W COB + 1W LED
- » White Light Color, Kelvin: 6500K
- » Switch Model
- » Top Light: 30 Lumen (lm) / 4 Hours
- » Main Light Low / High – 100 / 200 Lumen (lm) – 3 / 1.5 Hours
- » 180° Swivelling Rotating + 360° Rotating Head, Magnetic Clip & Base
- » Rechargeable Battery : 3.7V 800mAh Li-ion
- » LED Battery Status & Charging Indicator
- » Charging Time : 1.5 Hours

KTP9TA0212D

**\$120.06**  
excl GST

\$138.07 incl GST

### KING TONY INSPECTION LAMP SLIM 600 LUMEN SMD-LED (AS/NZ PLUG,USB)



- » Slim Inspection Lamp (600/250 Lumen)
- » Brightness - Worklight : 600/250 Lumen (lm), Top light: 120 lumen (lm), white light color, kelvin : 6500K
- » Materials: ABS plastic + rubber housing + PC lens + aluminium slim housing
- » 120° Angle rotation & magnetic base
- » Rechargeable battery : 3.7V - 2600mAh Li-ion
- » Switch modes
- » Top light
- » Worklight low
- » Worklight high
- » Accessory : USB cable and charger
- » 3 hours continuous for high worklight and 6 hours for low worklight
- » Charge times : 4 hours
- » IP54 waterproof and dustproof
- » IK07 vandalproof

KT9TA261D

**\$128.77**  
excl

\$148.09 incl gst

**FREE**

KTTS00208

### KING TONY LED WORKLIGHT, RECHARGABLE, 300LUMEN

- » 3W COB + 5 LEDs (top)
- » Brightness : 300 Lumen (lm), white light color, kelvin : 7200K
- » Materials : ABS+PS
- » 180° magnetic swivel base + 360° functional hook
- » Rechargeable battery : 3.7V - 2600mAh Li-ion
- » Accessory : USB charging cable
- » 4 hours continuous light, charge time: 4.5 hours
- » IP20 waterproof and dustproof
- » IK07 vandalproof



KT9TA27D

**\$62.59**  
excl GST

\$71.97 Incl GST

### KING TONY INSPECTION LAMP 1200 LUMEN, SMD LED



- » 12W SMD LED Adjustable Lamp
- » 60 PCE SMD LEDs
- » Brightness : 1200 Lumen (lm), white light color, kelvin : 7000-7800K
- » Materials : ABS+PC
- » Two step adjustable light
- » Hidden hook and magnetic adsorption
- » Rechargeable battery : 7.4V - 2600mAh Li-ion
- » Accessory: AC 100-240V, 50/60Hz EU battery charger, DC 12V cigarette plug charger
- » 2 hours continuous light, charge time: 4.5 hours

KT9TA31D

**\$121.43**  
excl

\$139.64 incl gst

**FREE**

KTTS00208

### KING TONY MINI HEAD LIGHT



- » 5W Led headlight 236 Lumen
- » Waterproof IP64 coating
- » Operates using 3 x AAA batteries not included
- » Stepless adjustment to control lighting
- » Magnetic and take up clip function
- » Adjustable and comfortable strap secured light in work

KT9TA51

**\$64.98**  
excl GST

\$74.73 Incl GST

### BONUS KING TONY TOOL DIAMOND BLOCK SET



\*BLOCK SET WILL BE RANDOMLY PICKED. ONLY WHILE STOCKS LAST

**KING TONY 1/2DR 30-150FT.LB/NM TORQUE WRENCH - CASE**

KT34423-1C1

**\$141.43**  
excl

\$162.64 incl gst



- » 1/2" drive
- » Quality accords to DIM ISO 6789 & B107.14M-2004
- » Tolerance of torque +4%
- » 15 degree gear action degree (24 teeth)
- » Distinct torque scale
- » Adjust screw
- » Recyclable cylindrical PKage
- » Torque range: 30-150FT.LB/NM.
- » Increments: 1 ft. lb. (1.35 NM)
- » Overall length: 450mm

**BONUS KING TONY 3/8"DR TORQUE WRENCH 15-80 IN-LBF. - 20.3-108.5NM - CASE**

**FREE**

KT34323-2C1

**PLUS**

**BONUS KING TONY TOOL DIAMOND BLOCK SET**

**FREE**

KTTS00208

**KING TONY 1/2"DR TORQUE WRENCH 50-250FT.LB/NM**

KT34423-2C1

**\$174.77**  
excl

\$200.99 incl gst



- » 1/2" drive
- » Quality accords to DIM ISO 6789 & B107.14M-2004
- » Tolerance of torque +4%
- » 15 degree gear action degree (24 teeth)
- » Distinct torque scale
- » Adjust screw
- » Recyclable cylindrical PKage
- » Torque range: 50-250 ft. lb. (67.8-339.0Nm)
- » Increments: 2 ft. lb. (2.71 NM)
- » Overall length: 570mm

**KING TONY 3/8"DR TORQUE WRENCH 15-80 IN-LBF. - 20.3-108.5NM - CASE**



- » 3/8" drive
- » Quality accords to DIM ISO 6789 & B107.14M-2004
- » Tolerance of torque +4%
- » 15 degree gear action degree (24 teeth)
- » Distinct torque scale
- » Adjust screw
- » Recyclable cylindrical Package
- » Torque range: 15-80 lbf - ft 0.5 / lbf - ft 20.3~108.5 Nm 0.68 Nm
- » Increments: 0.5 ft. lb. (0.68 NM)
- » Overall length: 370mm

KT34323-2C1

**\$141.43**  
excl

\$162.64 incl gst

**KING TONY ADJUSTABLE TORQUE WRENCH SET**

KT344251A12MR

**\$189.97**  
excl

\$218.47 incl gst

- » Torque Wrench 42~210 Nm 1/2"DR.
- » Dual direction and calibration accuracy of ±4%
- » 1/2"DR. extension bar 100 mm
- » 1/2"DR. socket 13, 14, 15, 16, 17, 18, 19, 21, 22, 24 mm

**BONUS KING TONY TOOL DIAMOND BLOCK SET**

**FREE**

KTTS00208

**BONUS KING TONY 3/8"DR TORQUE WRENCH 15-80 IN-LBF. - 20.3-108.5NM - CASE**

**FREE**

KT34223-1C

**PLUS**

**BONUS KING TONY TOOL DIAMOND BLOCK SET**

**FREE**

KTTS00208



# KING TONY

## KING TONY 5:1 3/4" IN X 1" OUT TORQUE MULTIPLIER



- » Torque manipulation with 1:5, accuracy guaranteed better than +/-5%
- » Reaction bar supplied in two styles for maximum versatility
- » ideal construction offers minimal maintenance and has an extended life

KT34688

**\$919.00**  
excl

\$1,056.85 incl GST

## KING TONY 1/2" DRIVE THIN WALL IMPACT 8 PCE



- » 8 PCE 1/2" drive thin wall impact bit socket set
- » Metal case size: 270 x 73 x 46mm
- » KT4835M-series - 1/2" drive 6pt thin wall impact sockets: 10-24mm

KT4413MP

**\$52.47**  
excl

\$60.34 incl GST

## KING TONY 1/2" DRIVE IMPACT SOCKET SET 14 PCE 10-27MM 6PT



- » 14 PCE 1/2" DR. 6PT Impact Socket Set
- » 6 points, standard length
- » 10~27mm

KT4414MP

**\$78.57**  
excl

\$90.36 incl GST



## KING TONY 27 PCE 1/2" DRIVE IMPACT SOCKET SET WITH CASE

- » 1/2" Drive impact socket set
- » KT4535M SERIES - 8, 9, 10, 11, 12, 13, 14, 15, 16, 17, 18, 19, 20, 21, 22, 23, 24, 25, 26, 27, 28, 29, 30, 32, 33, 34, 36
- » KT4835M SERIES - 1/2" drive 6pt thin wall impact sockets: 10-24mm

KT4427MP

**\$189.97**  
excl

\$218.47 incl GST

## BONUS KING TONY TOOL DIAMOND BLOCK SET

**FREE**

KTTS00208



## KING TONY 25 PCE 1/2" DRIVE IMPACT DEEP SOCKET SET WITH CASE

- » 1/2" Drive impact socket set
- » KT4435M SERIES Sockets - 8, 9, 10, 11, 12, 13, 14, 15, 16, 17, 18, 19, 20, 21, 22, 23, 24, 25, 26, 27, 28, 29, 30, 32, 36

KT4435MP

**\$263.01**  
excl

\$302.47 incl GST

## BONUS KING TONY TOOL DIAMOND BLOCK SET

**FREE**

KTTS00208

**KING TONY 8 PCE 1/2" DRIVE IMPACT HEX BIT SOCKET SET**



8 PCE 1/2"DRIVE STANDARD HEX BIT IMPACT SOCKET SET  
60MM LONG SOCKETS METAL CASE SIZE: 270 X 73 X46MM  
CONTAINS:

KT4055M SERIES - 1/2" Drive Standard Hex Bit Impact Sockets: H5, H6, H8, H10, H12, H14, H17, H19

KT4418MP

**\$83.06**  
excl

\$95.52 incl GST

**KING TONY 1/2" DRIVE 8 PCE DEEP IMPACT SOCKET SET 12-24MM**



1/2" DRIVE 8 PCE DEEP IMPACT SOCKET SET. METAL CASE  
SIZE: 246 X 103 X 38MM

» KT4435M SERIES - 1/2" Drive 6pt Deep Impact Sockets: 12 - 24mm

KT4410MP1

**\$83.06**  
excl

\$95.52 incl GST



KT6414MP

**\$305.42**  
excl

\$351.24 incl gst

**KING TONY 3/4" DRIVE 14 PCE IMPACT SOCKET SET 19-41MM (820011)**

» KT6435M SERIES impact sockets:  
» 19, 21, 22, 24, 26, 27, 29, 30, 32, 33, 35, 36, 38, 41

**BONUS KING TONY TOOL DIAMOND BLOCK SET**

**FREE**

KTTS00208



**KING TONY 3/4 DRIVE 8 PCE DEEP IMPACT SOCKET SET**

» KT6435M SERIES - 3/4" Drive 6pt Deep Impact Sockets:  
26-38mm  
» Metal Case Size: 445 x 100 x 65mm

**BONUS KING TONY TOOL DIAMOND BLOCK SET**

KT6410MP

**\$178.57**  
excl

\$205.36 incl gst

**FREE**

KTTS00208



**KING TONY 1/2" DRIVE 8 PCE DEEP IMPACT SOCKET SET 12-24MM**

1/2" DRIVE 8 PCE DEEP IMPACT SOCKET SET. METAL CASE  
SIZE: 246 X 103 X 38MM

» KT4435M SERIES - 1/2" Drive 6pt Deep Impact Sockets: 12 - 24mm

**BONUS KING TONY TOOL DIAMOND BLOCK SET**

KT8409MP

**\$357.14**  
excl

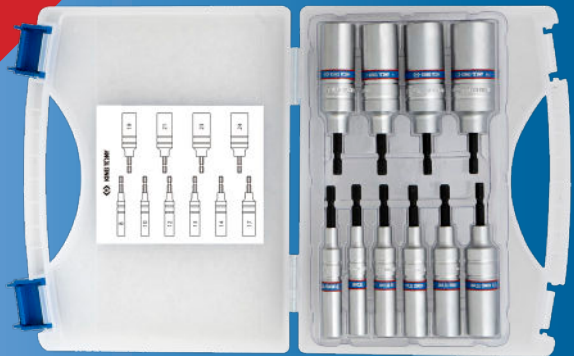
\$410.71 incl gst

**FREE**

KTTS00208

**NEW**

**KING TONY 10 PCE IMPACT CONSTRUCTION SOCKET SET**



» 10 PCE impact construction socket set 8 ~ 24mm  
» 110mm length easy to reach at confined spaces  
» Extra depth dimension 63mm perfectly go through various bolts  
» Press-fit structure with durability socket suitable for 18V power tools  
» Ideal for construction assembling, scaffolding and roof work  
» Visible plastic box 257 x 200 x 52mm  
» Contains: 8, 10, 12, 13, 14, 17, 19, 21, 23, 24 mm

KT1010CMR

**\$121.43**  
excl

\$139.64 incl gst



## KING TONY ROLLING HEAD PRY BARS



- » Lady Foot Rolling Head Pry Bar
- » Curved End Ensures Better Leverage In Small Areas
- » Tapered Point End For Alignment Work

6"

KT9TK306

**\$20.39** excl

\$23.44 incl gst

12"

KT9TK312

**\$29.64** excl

\$34.09 incl gst

16"

KT9TK316

**\$40.76** excl

\$46.87 incl gst

20"

KT9TK320

**\$55.59** excl

\$63.92 incl gst

## KING TONY BALL PEIN HAMMERS



12 OZ

KT7811-12

**\$22.54** excl

\$25.92 incl gst

16 OZ

KT7811-16

**\$29.71** excl

\$34.16 incl gst

24 OZ

KT7811-24

**\$35.27** excl

\$40.57 incl gst

32 OZ

KT7811-32

**\$35.91** excl

\$41.30 incl gst

40 OZ

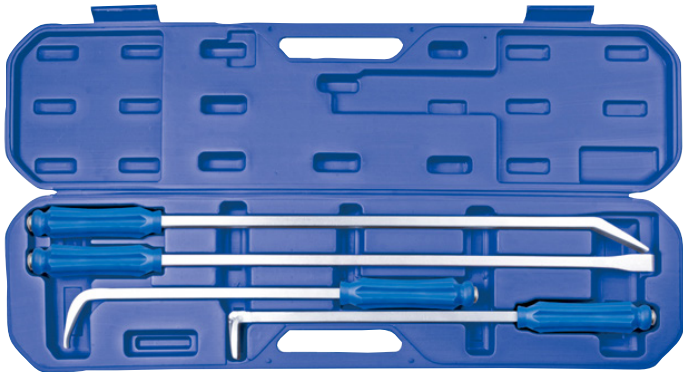
KT7811-40

**\$38.86** excl

\$44.69 incl gst

- » American style
- » Forged and hardened steel
- » Wood and metal wedge
- » High quality alloy steel
- » GGG, H86C

## KING TONY 4 PCE PRY BAR SET



- » KT9TK225A, 25-625mm - 90°
- » KT9TK225B, 25-625mm - 45°
- » KT9TK236A, 36-920mm - 30°
- » KT9TK236B, 36-920mm - Straight

KT9TK024

**\$235.71** excl

\$271.07 incl gst

## KING TONY 4 PCE JUMBO PRY BAR SET



- » KT9TK SERIES - Pry Bars: 204 - 608mm

KT9TK014

**\$116.96** excl

\$134.51 incl gst

## KING TONY DEAD BLOW HAMMERS



- » High quality alloy steel
- » Tapered point end for alignment work

16 OZ

KT7851-16

**\$25.99** excl

\$29.89 incl gst

24 OZ

KT7851-24

**\$27.85** excl

\$32.03 incl gst

32 OZ

KT7851-32

**\$35.27** excl

\$40.57 incl gst

40 OZ

KT7851-40

**\$40.84** excl

\$46.97 incl gst

48 OZ

KT7851-48

**\$42.70** excl

\$49.11 incl gst

64 OZ

KT7851-64

**\$48.27** excl

\$55.51 incl gst

### KING TONY 4 PCE ROLLING HEAD PRY BAR SET



- » Lady foot rolling head pry bar
- » Curved end ensures better leverage in small areas
- » Tapered point end for alignment work
- » 4 pieces length 150 , 300 , 400 , 500 mm

KT9TK034

**\$135.71** excl

\$156.07 incl gst

### KING TONY 9 PCE PUNCH SET

- » KT764 SERIES pin punches: 2 x 30, 3 x 40, 4 x 50, 5 x 50, 6 x 50, 8 x 50, 10 x 65, 12 x 70, 14 x 75



KT1009PR

**\$103.97** excl

\$119.56 incl gst

### KING TONY 4 PCE PIN PUNCH SET 10-16

- » Chrome molybdenum alloy steel
- » Finishing - phosphate sunk
- » Safe and comfortable grip
- » 10,12,14,16 x 360



KT1014GPN

**\$132.57** excl

\$152.46 incl gst

### KING TONY 6 PCE PUNCH SET

- » KT764 SERIES pin punches: 2 x 30, 3 x 40, 4 x 50, 5 x 50, 6 x 50, 8 x 50



KT1006PR

**\$48.27** excl

\$55.51 incl gst

### KING TONY 10 PCE PUNCH SET

- » KT761 SERIES centre punches: 3 x 100, 4 x 120, 5 x 150
- » KT763 SERIES starter punches: 3 x 120, 6 x 120, 8 x 120
- » KT764 SERIES pin punches: 3 x 40, 4 x 50, 5 x 50, 6 x 50



KT1010PR

**\$76.12** excl

\$87.54 incl gst



# KING TONY

## KING TONY 12 PCE STD S/WRENCH SET 8-24MM TET POUCH

KT12112MRN

**\$313.76** excl

\$360.82 incl gst

12 PCE STANDARD RING AND OPEN END SPEED WRENCH SET IN POUCH

CONTAINS:

- » KT3731M SERIES Standard Ring And Open End Speed Wrenches: 8, 9, 10, 11, 12, 13, 14, 15, 17, 19, 22, 24mm



## BONUS KING TONY 11 PCE R/OE WRENCH SET TET POUCH 8-24MM

PLUS

## BONUS KING TONY TOOL DIAMOND BLOCK SET

**FREE**

KT1211MRN

**FREE**

KTTS00208

## KING TONY 14 PCE R/OE WRENCH SET 10-32MM



- » KT1060 SERIES combination wrenches: 10, 11, 12, 13, 14, 16, 17, 19, 21, 22, 24, 27, 30, 32mm

KT1214MR

**\$239.50** excl

\$275.42 incl gst

## KING TONY 6482-24G 3/4" DR. TELESCOPIC LEVER WITH REVERSIBLE RATCHET



- » Ratchet 3/4" drive, Flexible, Extendable, Lockable
- » Telescopic lever 620 ~ 970 mm
- » 15° gear action

KT6482-24G

**\$207.66** excl

\$238.81 incl gst

## KING TONY 18 PCE R/OE WRENCH SET TET POUCH 6-24MM



18 PCE COMBINATION (RING AND OPEN END) WRENCH SET IN POUCH.

CONTAINS:

- » KT1060 SERIES Combination Wrenches: 6, 7, 8, 9, 10, 11, 12, 13, 14, 15, 16, 17, 18, 19, 20, 21, 22, 24mm

## BONUS KING TONY STUBBY R&OE WRENCH SET 8-19MM

- » KT10D0 SERIES - Stubby Combination Wrenches: 8, 9, 10, 11, 12, 13, 14, 15, 16, 17, 18, 19mm

KT1218MRN

**\$193.08** excl

\$222.05 incl gst

**FREE**

KT1211MRN

## KING TONY 7 PCE STD SPEED WRENCH SET 10-19MM

- » KT3731M series standard ring and open end speed wrenches: 10, 11, 12, 14, 15, 17, 19mm



## BONUS KT1207MR KING TONY 7 PCE R/OE WRENCH SET 10-19MM

PLUS

## BONUS KING TONY TOOL DIAMOND BLOCK SET

KT12107MRN

**\$165.23** excl

\$190.02 incl gst

**FREE**

KT1207MR

**FREE**

KTTS00208



**KING TONY 26 PCE R/OE WRENCH SET  
TET POUCH 6-32MM**

» KT1060 SERIES combination wrenches: 6, 7, 8, 9, 10, 11, 12, 13, 14, 15, 16, 17, 18, 19, 20, 21, 22, 23, 24, 25, 26, 27, 28, 29, 30, 32mm



**BONUS KING TONY 36 PCE  
3/8 DRIVE 12PT COMBINATION  
SOCKET SET**

**PLUS**

**BONUS KING TONY TOOL  
DIAMOND BLOCK SET**

KT1226MRN

**\$368.53**  
excl

\$423.81 incl gst

**FREE**

KT3036CR01

**FREE**

KTTS00208

**KING TONY 6 PCE R/OE WRENCH  
SET TET POUCH 34-50MM**

» KT1071 SERIES combination wrenches: 34, 36, 38, 41, 46, 50mm



KT1296MRN

**\$310.05**  
excl

\$356.55 incl gst

**FREE**

**BONUS  
KT9TA5003 KING TONY 3 PCE  
OUTDOOR ADVENTURE SET**

KT9TA5003

**PLUS**

**BONUS KING TONY TOOL  
DIAMOND BLOCK SET**

**FREE**

KTTS00208

**KING TONY 13 PCE STD S/WRENCH SET 8-19MM**



» KT3731M SERIES speed wrenches: 8-19mm  
» KT3732-SERIES speed wrench holders: 10-19mm

KT13113MR

**\$310.05**  
excl

\$356.55 incl gst

**FREE**

KT3036CR01

**FREE**

KTTS00208

**BONUS  
KT9TA5003 KING TONY 3PCE  
OUTDOOR ADVENTURE SET**

**PLUS**

**BONUS KING TONY TOOL  
DIAMOND BLOCK SET**

**NEW**

**KING TONY RAPID PIPE  
WRENCH 8"**



KT3616S-08P

**\$92.48**  
excl

\$106.35 incl gst

» Rapid pipe wrench 12-28mm opening 200mm length  
» Spring-loaded hook jaw provides rapid grip action

**NEW**

**KING TONY RAPID PIPE  
WRENCH 14"**

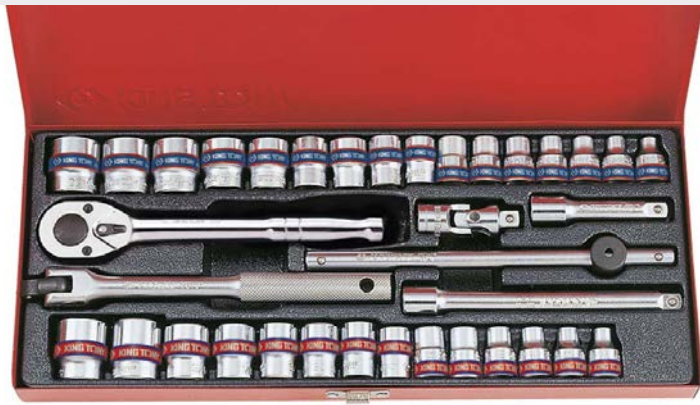


KT3616S-14P

**\$132.27**  
excl

\$152.11 incl gst

» Rapid pipe wrench 20-48mm opening 350mm length  
» Spring-loaded hook jaw provides rapid grip action



### KING TONY 36 PCE 3/8DR 12PT COMBINATION SOCKET SET

- » Metal case size: 372 x 153 x 40mm
- » KT3330M-SERIES - 3/8" drive 12pt standard sockets: 6-22mm
- » KT3330S-SERIES - 3/8" drive 12pt standard sockets: 1/4-7/8"
- » KT3769-08F - 3/8" drive reversible ratchet
- » KT3571-08 - 3/8" drive sliding t-handle
- » KT3452-08F - 3/8" drive flexible handle
- » KT3792 - 3/8" drive universal joint
- » KT3221-series - 3/8" drive extension bars: 3 & 6"

KT3036CR01  
**\$183.06** excl  
 \$210.52 incl gst

**FREE**  
 KT2525MRE

**FREE**  
 KTTS00208

### BONUS KT2525MRE KING TONY 25 PCE 1/4DR SOCKET & S/DRIVER BIT SET

#### PLUS

### BONUS KING TONY TOOL DIAMOND BLOCK SET

### KING TONY 26 PCE MINI BIT RATCHET SET



**NEW**

- » Solution for manual or power screwdrivers
- » Quick release reversible mini bit ratchet
- » 6" gear action
- » 1/4" power bit holder and extension
- » 1/4" power driving bits
- » 1/4" drive square socket adapter
- » Tough case provides pop out bits for quick access
- » Plastic case size 140 x 65 x 36 mm

KT1026CQ-AM  
**\$71.43** excl  
 \$82.14 incl gst

### KING TONY 39 PCE MINI SOCKET SET

- » 2335M Series 6PT sockets 5,5.5,6,7,8,9,10,11,12,13,14.
- » 1025P Series PH bits PH1, PH2, PH3
- » 102512P Series Phillips head
- » 1025Z Series PZ bits PZ1, PZ2, PZ3
- » 1025U Series Security Torx bits T10H, T15H, T20H, T25H, T27H, T30H, T40H.
- » 1025S Series Slotted bits 4.0, 5.0, 6.0
- » 1025H Series Hex bits H2.5, H3, H4, H5, H6
- » 2773-55GS 1/4" ratchet, 2176DF 1/4" Spinner handle, bit holder, universal bit, 2" and 4" extension bar



KT2539MR-AM  
**\$157.14** excl  
 \$180.71 incl gst

### KING TONY PRO 43 PCE 1/2 DR COMBINATION SOCKET SET 12PT



- » Metal case size: 476 x 282 x 57mm
- » 1/2" drive 12pt standard sockets: 8-32mm
- » 1/2" drive 12pt standard sockets: 3/8-1.1/4"
- » 1/2" drive driving handle
- » 1/2" drive reversible ratchet
- » 1/2" drive offset extension bar: 2"
- » 1/2" drive sliding t-handle
- » 1/2" drive I-handle
- » 1/2" drive universal joint

KTA4004CR  
**\$311.43** excl  
 \$358.14 incl gst

**FREE**  
 KTTS00208

### BONUS KING TONY TOOL DIAMOND BLOCK SET



### KING TONY 24 PCE 12PT 3/4 DR COMB. SKT ST

- » Metal case size: 537 x 177 x 78mm
- » KT6330M-series - 3/4" drive 12pt standard sockets: 22-50mm
- » KT6330S-series - 3/4" drive 12pt standard sockets: 1-2"
- » KT6779-20F - 3/4" drive reversible ratchet
- » KT6572-20 - 3/4" drive sliding t-handle
- » KT6251-series - 3/4" drive extension bars: 8 & 16"

KT6224CR  
**\$543.79** excl  
 \$625.36 incl gst

**FREE**  
 KTST4028MR

### BONUS KTST4028MR KING TONY 24 PCE 1/2" DR. SOCKET SET METRIC 12PT CHROME

#### PLUS

### BONUS KING TONY TOOL DIAMOND BLOCK SET

**FREE**  
 KTTS00208

**NEW**

### KING TONY 3 PCE 1/4"~1/2"DR. BALL RETAINER TYPE SOCKET ADAPTER 50MM



- » Power bit socket adapter
- » 1/4" Drive
- » 3/8" Drive
- » 1/2" Drive

KT9103PR  
**\$10.71** excl  
 \$12.32 incl gst

## KING TONY 15 PCE 1/4" DRIVE BIT & MINI RATCHET SET



- » 5° gear action (72 teeth)
- » Two teeth pawl action
- » KT2335M series 1/4" drive 6pt standard sockets: 5, 5.5, 6, 7, 8mm
- » KT1025P series Phillips bits: PH1, PH2
- » KT1025T series Torx bits: T10, T15, T20
- » KT1025H series hex bits: H3, H4, H5, H6
- » KT276A series ratchet

KT2515MR

**\$37.87** excl

\$43.56 incl gst

## KING TONY 49 PCE SET PALM RATCHET BIT HOLDER



- » 48 Teeth
- » Internal Soft Structure, It Allows The Operator To Spin Fasteners On And Off In Hard-To-Reach Areas
- » Stubby Grip Fitting The Palm, Good To Use In A Confined Space

KT1048MR

**\$93.09** excl

\$107.05 incl gst

## KING TONY 33 PCE BIT SET WITH NO.2 SQUARE DRIVE BIT



- » KT1025S SERIES - Slotted Screwdriver Bits: 3mm, 4mm, 5mm, 6mm
- » KT1025P SERIES - Phillips Screwdriver Bits: PH1, PH2 X 2, PH3
- » KT1025Z SERIES - Pozi Screwdriver Bits: PZ1, PZ2 X 2, PZ3
- » KT1025T SERIES - Torx Screwdriver Bits: T10, T15, T20, T25, 527, T30, T40
- » KT1025H SERIES - Hex Screwdriver Bits: 3, 4, 5, 6Mm
- » KT1025U SERIES - Tamper Resistant Torx Screwdriver Bits: T10H, T15H, T20H, T25H, T27H, T30H, T40H
- » KT102502R - Square Head Screwdriver Bit No. 2
- » KT7702-25 - Bit Adaptor
- » KT753-63 - Magnetic Bit Holder

KT1032CQ01

**\$40.84** excl

\$46.97 incl gst

## KING TONY PALM RATCHET SCREWDRIVER



- » 48 Teeth
- » With An Internal Soft Structure, It Allows The Operator To Spin Fasteners On And Off In Hard-To-Reach Areas
- » Stubby Grip Fitting The Palm, Good To Use In A Confined Space

KT2746

**\$33.51** excl

\$38.54 incl gst



## KING TONY 22 PCE 1/2" DRIVE SOCKET SET 10-34MM WITH EXTENDABLE POWER BAR 450-600MM

KT4223MR01

**\$378.57** excl

\$435.36 incl gst

**FREE**

KT3055CR01

**BONUS KT3055CR01 KING TONY 55 PCE 3/8 DR. 12PT SOCKET SET METRIC & IMPERIAL**

**PLUS**

**BONUS KING TONY TOOL DIAMOND BLOCK SET**

**FREE**

KTTS00208



KT2549CR01

**\$228.17** excl

\$262.40 incl gst

- » 1/4" drive 6pt standard sockets - 4-13mm & 5/32-1/2"
- » 1/4" drive 6pt deep sockets - 5/32-1/2"
- » 1/4" drive reversible ratchet
- » 1/4" drive flexible handle
- » 1/4" drive extension bars x 2
- » 1/4" drive universal joint

**FREE**

KT1032CQ01

**BONUS KT1032CQ01 KING TONY BIT SET + NO2 SQUARE BIT 33 PCE**

**PLUS**

**BONUS KING TONY TOOL DIAMOND BLOCK SET**

**FREE**

KTTS00208



# KING TONY

## KING TONY 1/4 - 3/8 - 1/2 COMBINATION SOCKET SET 143 PCE (6 PT)

### CONTAINS:

- » 1/4 Standard Sockets - 4-10mm
- » 1/4 Torx Socket E4-E8
- » 3/8 Standard Sockets 6 - 22mm
- » 1/2 Standard Sockets 8 - 32mm
- » 1/2 Torx Sockets E10-E20
- » Ring & Open End Wrenches 6 - 24mm
- » Flare Nut Wrenches 8-19mm
- » Hex Keys H1.5 - H10
- » Phillips, Slot, Torx, Hex, Pozi - Bits
- » Phillips Screwdrivers Ph1 & Ph2 + Slotted Screwdrivers
- » Spark Plug Sockets
- » 1/4 & 1/2 Standard Ratchets + 3/8 Flexi Head Ratchet
- » Accessories - Pliers, Hammer, Adapter, L, Handle, Tape Measure Etc,
- » Extensions Standard, Flexi.
- » 1/2 Flexible Handle

## BONUS KING TONY TOOL DIAMOND BLOCK SET



<b>FREE</b>	KTTS00208	KTSC9543MR	<b>\$535.71</b> excl
			\$616.07 incl gst

## KING TONY 1/4 - 1/2 SET 87 PCE

### CONTAINS:

- » 1/4 Standard Sockets - 5-13mm
- » 1/4 Deep Sockets 7 - 13mm
- » 1/2 Standard Sockets 10 - 32mm
- » Ring & Open End Wrenches 6 - 22mm
- » Spark Plug Sockets
- » Hex Key Set - H2.5 - H10
- » Star L - Wrench Set - T10h - T40h
- » Bits - Hex, Torx, Spline
- » Phillips & Slotted Screwdrivers
- » Spark Plug Sockets
- » 1/4 & 1/2 Standard Ratchets + 3/8 Flexi Head Ratchet
- » Accessories - Pliers, Extensions, Adaptor, Universals
- » 1/2 Flexible Handle & 1/4 Sliding T Handle
- » Other Bar Accessories - 9980410, 19980016

## BONUS KING TONY TOOL DIAMOND BLOCK SET



<b>FREE</b>	KTTS00208	KT7587MRC01	<b>\$350.00</b> excl
			\$402.50 incl gst

## KING TONY 1/4 - 1/2 SET 110 PCE

### CONTAINS:

- » 1/4 Standard Sockets - 5 - 14mm
- » 1/4 Deep Sockets 5 - 14mm
- » 1/4 Torx Socket E4 - E8
- » 1/2 Standard Sockets 8 - 30mm
- » 1/2 Deep Sockets 14-22mm
- » Hex Keys 1.5 - 10mm
- » Ring & Open End Wrenches 8-19mm
- » Hex Keys H1.5 - H10
- » Bits - Phillips, Slot, Torx, Hex, Pozi, Spline
- » Phillips Screwdrivers Ph1 & Ph2 + Slotted Screwdrivers
- » Spark Plug Sockets
- » 1/2 Standard Ratchet & 1/4 Stubby Ratchet
- » Accessories - Pliers, Hammer, Adaptor, Spinner Handle, Hammer, Circuit Tester Etc
- » Extensions Standard
- » 1/2 & 1/4 Flexible Handles
- » Led Pocket Torch

## BONUS KING TONY TOOL DIAMOND BLOCK SET



<b>FREE</b>	KTTS00208	KT7510MRC	<b>\$463.53</b> excl
			\$533.06 incl gst

## KING TONY 1/4 - 1/2 SET 77 PCE (6PT)

### CONTAINS:

- » 1/4 Standard Sockets, 4 - 12mm
- » 1/4 Deep Sockets 8 - 13mm
- » 1/2 Standard Sockets 12 - 32mm
- » Spark Plug Sockets
- » Hex Keys
- » Ring & Open End Wrenches 8 - 19mm
- » Phillips & Slotted Screwdrivers
- » Phillips, Slot, Torx, Hex Bits
- » 1/4 & 1/2 Standard Ratchets
- » Spark Plug Sockets
- » Accessories - Pliers, Hammer, Adapter, Universal, T Bar, Etc
- » Extensions Standard, Flexi



### BONUS KING TONY TOOL DIAMOND BLOCK SET

**FREE**  
KTTS00208

KT7577MRC  
**\$281.16** excl  
\$323.33 incl gst

## KING TONY SOCKET & WRENCH TOOL SET 96 PCE IN CASE

### CONTAINS:

- » 1/4" Drive Standard Socket 4 - 14mm
- » 1/4" Drive Deep Socket 6 - 14mm
- » 1/2" Drive Standard 10 - 32mm
- » 1/2" Drive Impact Socket 15 - 24mm
- » Open-Ring Wrench 8 - 19mm
- » Bit Hex 3 - 14mm, Bit Torx 10 - 60mm
- » Phillips, Slotted, Tr Torx & Square-Robinson
- » Reversible Ratchet & Spinner Driver
- » Portable High Density Polythene Case



### BONUS KING TONY TOOL DIAMOND BLOCK SET

**FREE**  
KTTS00208

KTSC7396MR  
**\$207.14** excl  
\$238.21 incl gst

## KING TONY 62 PCE 3 SCT FOLD UP TOOL CHEST SET

### CONTAINS:

- » KT87402 - 3 Section Portable Tool Box
- » KT9-4116FR - 6 PCE 1/2" Drive Socket Accessories
- » KT9-1217MR - 7 PCE Wrenches
- » KT9-90120MR - 20 PCE Wrenches & Hex Key Set
- » KT9-30206MR - 6 PCE Screwdrivers
- » KT9-4319MR - 19 PCE 1/2" Drive Socket Set
- » KT9-40203GP - 3 PCE Pliers

### BONUS KING TONY TOOL DIAMOND BLOCK SET



**FREE**  
KTTS00208

KTSC9A05-062MR  
**\$524.31** excl  
\$602.96 incl gst



### KING TONY C-CLAMP GRIP PLIER MOVING JAW



- » C-clamp grip plier
- » With moving jaw
- » Overall length: 280mm (11")
- » Capacity: 96mm

KT6625-11

**\$33.43** excl

\$38.44 incl gst

### KING TONY 450MM C-CLAMP GRIP PLIER MOVING JAW



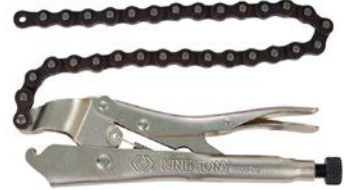
- » C-clamp grip plier
- » With moving jaw
- » Overall length: 457mm (18.1/2")
- » Capacity: 200mm

KT6625-18

**\$51.67** excl

\$59.42 incl gst

### KING TONY 225MM CHAIN GRIP PLIER



- » Lock chain grip plier
- » Chain can hold around any shape or size
- » Convenient for awkwardly shaped pieces
- » With adjusting screw and release lever
- » Overall length: 225mm (9")
- » Capacity: 60-140mm

KT6655-09

**\$48.27** excl

\$55.51 incl gst

### KING TONY C-CLAMP GRIP PLIER MOVING JAW



- » C-clamp grip plier
- » With moving jaw
- » Overall length: 280mm (11")
- » Capacity: 96mm

KT6615-11

**\$51.06** excl

\$58.71 incl gst

### KING TONY C-CLAMP GRIP PLIER MOVING JAW



- » C-clamp grip plier
- » Overall length: 456mm (18")
- » Capacity: 200mm

KT6615-18

**\$100.25** excl

\$115.29 incl gst

### KING TONY LOCKING WELDERS CLAMP



- » Lock grip plier
- » U-shaped jaws allow enhanced visibility and more working space
- » Holds work in proper alignment
- » For use in welding or holding awkward shapes in place
- » Overall length: 230mm (9")
- » Capacity: 43mm

KT6665-09

**\$51.98** excl

\$59.78 incl gst

### KING TONY RIVETER (2.4-4.8MM CAPACITY)



- » Riveter
- » Capacity: 4.8mm
- » Stainless steel
- » Drop forged aluminium body
- » Overall length: 260mm (10.1/4")

KT21-20-101

**\$33.42** excl

\$38.43 incl gst

### KING TONY PRO RIVETER - MULTI POSITION HEAD



- » Riveter
- » 4 size quickly and easily to change
- » Stainless steel
- » The drive can be used in 90 degree and 180 degrees
- » Overall length: 278mm (11")

KT21-20-102

**\$40.84** excl

\$46.97 incl gst

### KING TONY EXPANDER RIVETER 3.2 TO 6.4MM



- » Expander tongs framework design to press riveter
- » 4 PCE Interchangeable nozzles
- » Heavy duty riveter for stainless or aluminum rivets

KT79721

**\$128.10** excl

\$147.32 incl gst

### KING TONY INDUSTRIAL LEVER RIVETER 18IN



- » Riveter
- » Capacity: 6.4mm
- » Stainless steel
- » Drop forged aluminium body
- » Overall length: 460mm (18")

KT79711

**\$116.96** excl

\$134.51 incl gst

### KING TONY LOCK GRIP PLIER NICKEL V-JAW



- » V jaw with wire cutter With adjusting screw and release lever

175MM/7"

KT6012-07N

**\$19.29** excl

\$22.18 incl gst

225MM/9"

KT6012-10N

**\$20.71** excl

\$23.82 incl gst

### KING TONY LKGRIP PLR STRAIGHT CHROME



- » chrome molybdenum alloy steel
- » Straight jaw
- » With adjusting screw and release lever

7"

KT6031-07R

**\$17.29** excl

\$19.88 incl gst

10"

KT6031-10R

**\$20.00** excl

\$23.00 incl gst

# PLIERS AND CUTTERS

## KING TONY LKGRIP PLIER CURVED CHROME

- » Chrome molybdenum alloy steel
- » Curved jaw with wire cutter
- » Adjusting screw and release lever
- » Chrome plated



5"

KT6011-05R

**\$15.00**  
excl

\$17.25 incl gst

7"

KT6011-07R

**\$25.62**  
excl

\$29.46 incl gst

10"

KT6011-10R

**\$27.48**  
excl

\$31.60 incl gst

## KING TONY GRVE JNT PLR 7 POS.OPEN.-PLASTIC COATING HANDLE



253MM

KT6511-10C

**\$37.13**  
excl

\$42.70 incl gst

325MM

KT6511-13C

**\$40.84**  
excl

\$46.97 incl gst

425MM

KT6511-17C

**\$64.98**  
excl

\$74.73 incl gst

## KING TONY BOLT CUTTER

- » Adjustable bolt cutter
- » Chrome vanadium alloy steel
- » Centre cut



18"

KT6131-18

**\$68.69**  
excl

\$79.00 incl gst

24"

KT6131-24

**\$102.11**  
excl

\$117.43 incl gst

30"

KT6131-30

**\$142.96**  
excl

\$164.40 incl gst

## KING TONY COMPACT BOLT CUTTER 8"



KT6133-08

**\$58.77**  
excl

\$67.59 incl gst

## KING TONY REVERSIBLE JAW ADJUST WRENCH 200MM



KT3614-08R

**\$50.00**  
excl

\$57.50 incl gst

- » Adjustable wrench with extra wide open and reversible jaw
- » Reversible jaw another side for pipe use
- » Slim head allows access where space is tight
- » 0-38mm opening – 50% more than standard 200mm
- » Comfortable non slip grip handle for plumbing applications

## KING TONY 206MM SHEET METAL LKGRP PLIERS

- » Lock sheet metal grip plier
- » Material: chrome molybdenum alloy steel
- » Finishing: nickel plated
- » With adjusting screw and release level
- » Makes bending, forming and crimping sheet metal easier
- » Overall length: 206mm (8")
- » Jaw capacity: 13mm



KT6605-08

**\$44.56**  
excl

\$51.24 incl gst

## KING TONY THREE PIECE PLIER SET

- » 3 PCE Pliers Set, All 8"
- » Grip Provides Comfort
- » Fit For Purpose
- » Sharp Cutting Edge
- » Pliers Of Long Nose, Side Cut & Combination
- » 6231-08
- » 6311-08
- » 6111-08



KT42213GP01

**\$72.94**  
excl

\$83.88 incl gst

## KING TONY 3 PCE LOCKING PLIERS SET

- » 3 PCE Functionality Locking Pliers
- » \*2X gripping power locking pliers
- » \*Long nose 6", Straight jaw 7", Curved jaw 10"
- » \*Most commonly used in kit bag.



KT42503PR

**\$65.34**  
excl

\$75.14 incl gst

## KING TONY ELECTRICIANS SCISSORS

- » Electrician scissors
- » Grip material: PP + TPR
- » Overall length: 145mm
- » Blade length: 55mm



KT6AB12-55

**\$12.64**  
excl

\$14.54 incl gst

## KING TONY 7.1/2" MULTI PURPOSE SCISSORS

- » Electricians Scissors
- » Multi-purpose scissors
- » Even mouth cable cutter
- » Safety blade locking system



KT6AB31-75

**\$11.69**  
excl

\$13.44 incl gst

## KING TONY 10" AVIATION TIN SNIPS

- » Overall length: 250mm
- » Cutting length: 38mm
- » Straight cut
- » (yellow handle)



KT74030

**\$29.71**  
excl

\$34.16 incl gst

- » Overall length: 248mm
- » Cutting length: 35mm
- » Left cut
- » (red handle)



KT74010

**\$29.71**  
excl

\$34.16 incl gst

- » Overall length: 248mm
- » Cutting length: 35mm
- » Right cut
- » (green handle)



KT74020

**\$29.71**  
excl

\$34.16 incl gst



## KING TONY 3 JAW GEAR PULLER 3"



### GEAR PULLER

- » Three-Jaw
- » Material: Chrome Vanadium Alloy Steel
- » Finishing: Chrome Plated & Phosphate Sunk
- » Size: 3"

KT7963-03

**\$61.27** excl

\$70.46 incl gst

## KING TONY 3 JAW GEAR PULLER 4"



### GEAR PULLER

- » Three-Jaw
- » Material: Chrome Vanadium Alloy Steel
- » Finishing: Chrome Plated & Phosphate Sunk
- » Size: 4"

KT7963-04

**\$81.69** excl

\$93.94 incl gst

## KING TONY 3 JAW GEAR PULLER 6"



### GEAR PULLER

- » Three-Jaw
- » Material: Chrome Vanadium Alloy Steel
- » Finishing: Chrome Plated & Phosphate Sunk
- » Size: 6"

KT7963-06

**\$116.96** excl

\$134.51 incl gst



## KING TONY HOSE CLAMP PLIER SET 11 PCE

KT9AA01

**\$278.57** excl

\$320.36 incl gst

## KING TONY 16 PCE CUP TYPE OIL FILTER WRENCH SET



- » 16 PCE oil filter wrench set
- » Withstands up to 115.2 Nm/85 ft.lb
- » Coated with electro-black oxide finish for protection against rust
- » 1/2" F x 3/8" M adaptor
- » 3 legged oil filter wrench: 63-102mm

KT9AE2016

**\$127.14** excl

\$146.21 incl gst

## KING TONY DIGITAL TYRE GAUGE



- » Tyre Pressure Gauge Unit Range: 0-100 psi/0-7.0 bar/0-700 kpa
- » Tyre Pressure Gauge
- » Display Resolution: 0.1 psi/0.01 bar/0.01 kpa
- » Tread Depth Gauge Unit Range: 0.22mm/0.8"
- » Tread Depth Gauge Display Resolution: 0.01mm/0.01"
- » Tread Depth Gauge Accuracy: +/-1%

KT9BM120

**\$42.70** excl

\$49.11 incl gst

## KING TONY AIR HYDRAULIC RIVETER 3/16

- » Compact aluminum design & shockless easy operation
- » Heavy pulling force 2.680lb (1210kg)
- » 4 pieces interchangeable nose 3/32", 1/8", 5/32", 3/16"
- » Maximum capacity 3/16" aluminum blind rivet
- » Maximum capacity 5/32" stainless blind rivet
- » Professional riveting
- » Suitable for continuous operation with rivets made of steel, stainless steel and aluminium
- » 6.2 PSI
- » Has sturdy metal housing
- » Tractive power: 11922 N-f / 18532 N-f
- » Stroke length: 9/16" / 14mm
- » Capacity: Aluminium & Steel 3/16" (4.8mm)
- » Stainless Steel = 5/32" (4mm)



KT33J11-100

**\$161.93** excl

\$186.22 incl gst

## KING TONY 1/2" & 3/8" 63-102MM 3L OIL FILTER WRENCH

- » Oil filter wrench
- » Three legs
- » The claw-type filter is available for removing all oil filters from 2.182-4.3/4" in diameter
- » Suitable for use with 3/8" or 1/2" drive square drive tool
- » Coated with electro-black oxide finish for protection against rust



KT9AE42

**\$22.28** excl

\$ 25.62 incl gst

## KING TONY 40" PLASTIC CREEPER

- » Designed With 2 Side Storage Trays, For Easy Pick Up Of Small Parts Or Tools.vinyl-Covered Foam Pad Brings More Comfort While Working
- » 280 Lb. Weight Capacity
- » 1-1/4" Ground Clearance



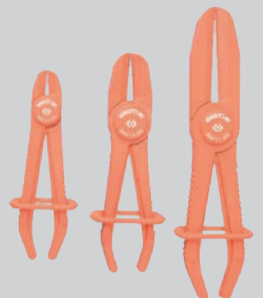
KT87C23-B

**\$98.79** excl

\$113.60 incl gst

## KING TONY 3 PCE HOSE PINCH SET

- » Adjustable Edges Ensure No Damage To Hose
- » For Hoses From 15-60mm
- » Suitable For Clamping Radiator, Heater, Fuel, Coolant And Brake Hoses



KT9AF113

**\$19.00** excl

\$21.85 incl gst



## KING TONY 25 PCE HYDRAULIC GEAR PULLER

- » 1 Set Separator Capacity 75mm ~ 105mm 1 PC.
- Beam 1 PC. 10T Hydraulic Ram 1 PC. Tripe Head 1 PC. Twin Head 1PC. Ram Part 1 PC. Centre Adapter 1 PC. 1" x 2" Extension Rod 1 PC. 1" x 4" Extension Rod 2 PC. Main Rod Hex bar 19mm x M12 & 1/2" x L255mm 2 PC. Extension RodHex bar 19mm x M12 x L255mm 3 PC. 4" Leg 3 PC. 6" Leg 3 PC. 8" Leg



**BONUS**  
KING TONY  
TOOL DIAMOND  
BLOCK SET

**FREE**  
KTTS00208

KT9BA01  
**\$454.41** excl  
\$522.58 incl gst

## KING TONY HEX HANDLE TEE WRENCH SET 8 PCE

- » Stand Included
- » Spring and ball detent to secure the Sliding T
- » It turns fasteners quickly and continuously with free spinning collar



KT23208MR  
**\$129.94** excl  
\$149.44 incl gst

## KING TONY 6 PCE 1/2DR IMPACT DRIVER SET



- » KT1836S SERIES - 36mm long slotted bits: 9 & 11mm
- » KT1836P series - 36mm long Phillips bits: #2 & #3
- » KT4112 1/2" drive impact driver
- » KT414810S 1/2" drive bit holder

KT4112FR  
**\$53.84** excl  
\$61.92 incl gst

## KING TONY 14 PCE SCREW DRIVER SET (WITH INSUL)

- » KT1411 SERIES screwdrivers Phillips: PH0 x 75, PH1 x 100, PH2 x 38, PH2 x 100, PH2 x 150, PH3 x 150
- » KT1412 SERIES screwdrivers Slotted: 3 x 75, 4 x 100, 5.5 x 100, 6.5 x 38, 6.5 x 150, 8 x 200mm
- » KT1478 SERIES insulated screwdriver - Pozzi: PZ2 x 100
- » KT1482 SERIES heavy duty screwdriver - Slotted: 10 x 300mm



KT35114MR01  
**\$94.69** excl  
\$108.89 incl gst



## KING TONY 8 PCE BEARING SPLITTER SET

8 PCE PRESSURE SCREW BEARING SEPARATOR PULLER SET

- » Includes bearing separator & bolts
- » Capacity 75mm-105mm
- » Bolt 5/8" x 18UNF x L 165mm
- » 2 PCE. Main Rod (Hex Bar 19mm x M12 & 1/2" x L 255mm)
- » 2 PCE Extension Rod (Hex Bar 19mm x M12 x L 255mm)
- » 1 PCE Beam (Carbon Steel)
- » 1 PCE Central Bolt (Hex 21mm x M18 x L292 mm)
- » 1 PCE Nut (Carbon Steel)

**BONUS**  
KING TONY TOOL DIAMOND  
BLOCK SET

## KING TONY 7 PCE PHILLIPS SLOT SCREWDRIVER SET

- » KT1421-SERIES - Phillips screwdrivers: No. 1-2
- » KT1422-SERIES - slotted screwdrivers: 3-8mm



KT30117MR  
**\$53.84** excl  
\$61.92 incl gst

## KING TONY 8 PCE GO THRU SCREWDRIVER SET

- » KT1461 SERIES: PH1 x 75, PH2 x 100, PH3 x 150
- » KT1462 SERIES: 6.5 x 100, 8.0 x 175, 10 x 300
- » KT1421 SERIES: PH2 x 38
- » KT1422 SERIES: 6.5 x 38



KT35208MR  
**\$112.86** excl  
\$129.79 incl gst

KT9BA22  
**FREE** KTTS00208  
**\$196.04** excl  
\$225.45 incl gst

## KING TONY 31 PCE UNIV DISC BRAKE TOOL KIT

- » 31 PCE universal disc brake wind-back tool kit
- » For rotating pistons back into caliper to provide clearance for new pads
- » Prevents damage to the piston and boot
- » Suitable for BMW, Ford, VW, Audi, Porsche, Saab, Opel, Volvo, Jaguar, Citroen, Peugeot, Renault, Vauxhall, Lancia, Alfa Romeo, Fiat, Nissan, Hondas, Subaru, Toyota, Mitsubishi



**BONUS**  
KING TONY  
TOOL DIAMOND  
BLOCK SET

**FREE**  
KTTS00208

KT9BC23  
**\$292.86** excl  
\$336.79 incl gst

## KING TONY 330MM AIR BLOW GUN (BSPT AIR INLET)



- » Air blow gun
- » Ideal for cleaning
- » Steel nozzle & nylon fibre handle
- » Air pressure: 90 psi recommended
- » Air inlet: BSPT
- » Overall length: 472mm

KT79900-13  
**\$15.20** excl  
\$17.48 incl gst

## KING TONY 100MM AIR BLOW GUN (BSPT AIR INLET)



- » Air blow gun
- » Ideal for cleaning
- » Steel nozzle & nylon fibre handle
- » Air pressure: 90 psi recommended
- » Air inlet: BSPT
- » Overall length: 242mm

KT79900-04  
**\$11.40** excl  
\$13.11 incl gst



## KING TONY 225 PCE TOOL SET IN 6 DRAWER BOX



- » Metric / Imperial 1/4" Drive Std & Deep Socket Set: 4-13mm & 5/32-1/2"
- » Metric / Imperial 3/8" Drive Std & Deep Socket Set: 6-22mm & 3/8-13/16"
- » Metric / Imperial 1/2" Drive Standard Socket Set: 10-32mm & 3/8-1.1/4"
- » Spark Socket 3/8" Drive 14, 16, 20.5mm
- » Ring & Open End Wrenches 6-21mm & 15/16-3/4"
- » Adjustable Wrenches 200mm
- » Internal & External Circlip Pliers Set
- » Lock Grip & Groove Joint Pliers Set
- » Combination, Long Nose & Diagonal Cutting Pliers Set
- » Hex Key Sets 2.5-10mm & 3/32-3/8"
- » Bit Set (TORX, PZ, PH, SL including RB2 Square Drive)
- » Screwdrivers Set PH 0, 1, 2, 3 & SL 3, 6, 8
- » Ball Pein Hammer 160z
- » Industry Snip & Utility Knife & Half Round File & Measuring Tape 8M
- » Magnetic Tray For Screws
- » 6 Drawer Tool Box

KT911-225CR

**\$1642.86** excl

\$1,889.29 incl GST

**FREE**

KT9TA5003

**FREE**

KTTS00208

**BONUS KING TONY TOOL DIAMOND BLOCK SET**

**PLUS**

**BONUS KING TONY 3PCE OUTDOOR ADVENTURE SET**

## KING TONY 219 PCE TOOL SET 9 DRAW



- » KT87411-9B - 9 drawer tool box
- » KT9-7069CR01 - 69 PCE 3/8" & 1/2" drives socket set
- » KT9-42114GP - 4 PCE circlip plier set
- » KT9-40102GP - 2 PCE plier set
- » KT9-2548CR01 - 48 PCE 1/4" drive socket set
- » KT9-90128SR - 28 pce wrenches, punches, chisels & ball pein hammer
- » KT9-90138CR - 38 PCE wrenches
- » KT9-90129CR - 29 PCE screwdrivers, pliers & hex key sets

**BONUS KING TONY 26 PCE MINI BIT RATCHET SET**

**PLUS**

**BONUS KING TONY TOOL DIAMOND BLOCK SET**

KT911-000CR9

**\$1481.76** excl

\$1,704.02 incl GST

**FREE**

KTTS00208

## KING TONY 7 DRAW ROLL CABINET

» 670mm (w) x 460mm (d) x 980mm (h)



KT87434-7B

**\$965.05** excl

\$1109.80 incl GST

## KING TONY 3 DRAW TOOLBOX (INTER) BALL BRG

- » Heavy gauge steel - Powder coating finish
- » Drawer slides type - ball bearing
- » Grooved full width drawer pulls
- » Central locking system
- » 10mm top mat
- » 4 pins on the middle chest corners to tie in with top chest for extra security
- » 660mm (w) x 307mm (d) x 251mm (h)



KT87421-3B

**\$368.53** excl

\$423.81 incl GST

## KING TONY 237PC TOOL SET (METRIC) 4 DRW T/BOX + 7 DRW R/CAB-SA

- » 1/4" Drive 4~13mm, Std+Deep socket
- » 3/8" Drive 8~22mm, Std+Deep socket, Spark Plug -14,16,21, Hex 3~12, Torx 10~50 bit socket
- » 1/2" Drive 10~32mm, Std socket
- » Ring & Open End Wrench: 6~27mm, Stubby 10~19mm
- » Adjustable Wrench: 6", 8"
- » Pliers: Combination, Diagonal Cutting, Long Nose, Groove joint, Internal ring, External ring, Locking
- » Screwdrivers: Phillips Tip, Slotted Tip, Square tip
- » Pozidriv Tip, Hex Tip, Torx Tip, Torx TR Tip, Adapter, Magnetic holder
- » Hex Keys: 1.5~10mm, 3/32~3/8", T10H~T40H
- » Ball Pein Hammer, Chisel, punch, feeler gauge
- » 5 Drawer Extra Deep Tool Box (724x470x446mm)
- » color-signs EVA foam



KT919-237MRV-SA

**\$2735.56** excl

\$3,145.89 incl GST

**BONUS KING TONY TOOL DIAMOND BLOCK SET**

**BONUS KING TONY 26PCE MINI BIT RATCHET SET**

**BONUS KING TONY 3PCE OUTDOOR ADVENTURE SET**

**FREE**

KT1026CQ-AM & KT9TA5003

**FREE**

KTTS00208

## KING TONY 352 PCE TOOL SET (MET & IMP) IN 4 DRAW BOX & 7 DRAW ROLL CAB - BLACK TRIM



- » KT9-9003MRV - 103 PCE 1/2", 3/8", 1/4" Dr. Socket Set 12pt in EVA Foam. Metric
- » KT9-31912MRV - 12 PCE Screwdriver Set In EVA Foam
- » KT9-90217GRV - 17 PCE Pliers & Hammer Set in EVA Foam
- » KT9-91190CRV - 90 PCE Stubby Wrench & Hex Key Set in EVA foam. Metric
- » KT9-1216MRV05 - 16 PCE Combination Wrench Set in EVA Foam
- » KT9-9040SRV - 40 PCE 1/2", 3/8", 1/4" DR. ( Imperial) Socket 12pt & Wrench Set. Eva

**BONUS KING TONY TOOL DIAMOND BLOCK SET**

KT919-352CRV-BK  
**\$3500.00** excl  
 \$4205.81 incl GST

**BONUS KING TONY 26 PCE MINI BIT RATCHET SET**

**FREE**  
 KT1026CQ-AM / KT9TA5003

**BONUS KING TONY 3PCE OUTDOOR ADVENTURE SET**

**FREE**  
 KTTS00208

## KING TONY 237 PCE TOOL CHEST AND ROLL CAB SET



- » KT87411-6B 6 drawer tool box
- » 7 DRAW CAB (KT87434-7B)
- » KT9-7078CR 78 PCE 3/8" & 1/2" drives socket set
- » KT9-42114GP 4 PCE circlip plier set
- » KT9-40102GP 2 PCE plier set
- » KT9-2548CR01 48 PCE 1/4" drive socket set
- » KT9-90329CR 29 PCE wrenches
- » KT9-90220MR 20 PCE screwdrivers, pliers & bit sockets
- » KT9-90154CR 54pce tin snips, ball pein hammer, punches, chisel, hex key sets & bit set

KT911-237KIT  
**\$2012.50** excl  
 \$2314.30 incl GST

**BONUS KING TONY TOOL DIAMOND BLOCK SET**

**FREE**  
 KTTS00208

## KING TONY WORKSTATION 2275MM X 460 X 2000, BLUE, WOOD TOP



- » KT87D11-18A-KB - King Tony 2 Door Lockable Tall Cabinet
- » 5 Flexible Adjustment Shelves - 915 x 460 x 2000mm
- » KT87D11-01A-KB - King Tony Wall Cabinet - Hydraulic Spring 680 X 280 X 350mm
- » KT87D11-17A-KB - King Tony Wall Cabinet - Roller Door 680 X 280 X 350mm
- » KT87D11-09A - Pressed Wooden Board Bench Top
- » KT87D11-03A-KB - King Tony 2 Door Lockable Open Door Floor Cabinet
- » KT87D11-05A-KB - King Tony 5 Drawer, Lockable Drawer Floor Cabinet - Ball Bearing Sliders
- » KT87D11-06A-B - Steel Back Panelling For Tool Storage x2

**BONUS KING TONY 22PCE 1/2"DR. SOCKET SET 10-34MM WITH EXT POWER BAR 450-600MM**

**BONUS KING TONY 3PCE OUTDOOR ADVENTURE SET**

**BONUS KING TONY TOOL DIAMOND BLOCK SET**

KT87D11X05A-KB  
**\$3214.29** excl  
 \$3,696.43 incl gst

**FREE**  
 KT1026CQ-AM / KT9TA5003

**FREE**  
 KTTS00208

## KING TONY WORKSTATION 2640MM X 460 X 2000, BLUE, WOOD TOP



- » KT87D11-02A-KB - King Tony 1 Door Lockable Tall Cabinet, 5 Flexible Adjustment Shelves 600 x 460 x 2000mm
- » KT87D11-01A-KB - King Tony Wall Cabinet x 2 - Hydraulic Spring 680 x 280 x 350mm
- » KT87D11-17A-KB - King Tony Wall Cabinet - Roller Door 680 x 280 x 350mm
- » KT87D11-09A - Pressed Wooden Board Bench Top
- » KT87D11-03A-KB - King Tony 2 Door Lockable Open Door Floor Cabinet
- » KT87D11-12A-KB - King Tony 5 Drawer, Lockable Roll Cabinet ball bearing sliders -650 x 460 x 862
- » Floor Cabinet - Ball Bearing Sliders
- » KT87D11-06A-B - Steel Back Panelling For Tool Storage X3

**BONUS KING TONY TOOL DIAMOND BLOCK SET**

**BONUS KING TONY 22 PCE 1/2"DR. SOCKET SET 10-34MM WITH EXT POWER BAR 450-600MM**

**BONUS KING TONY 3PCE OUTDOOR ADVENTURE SET**

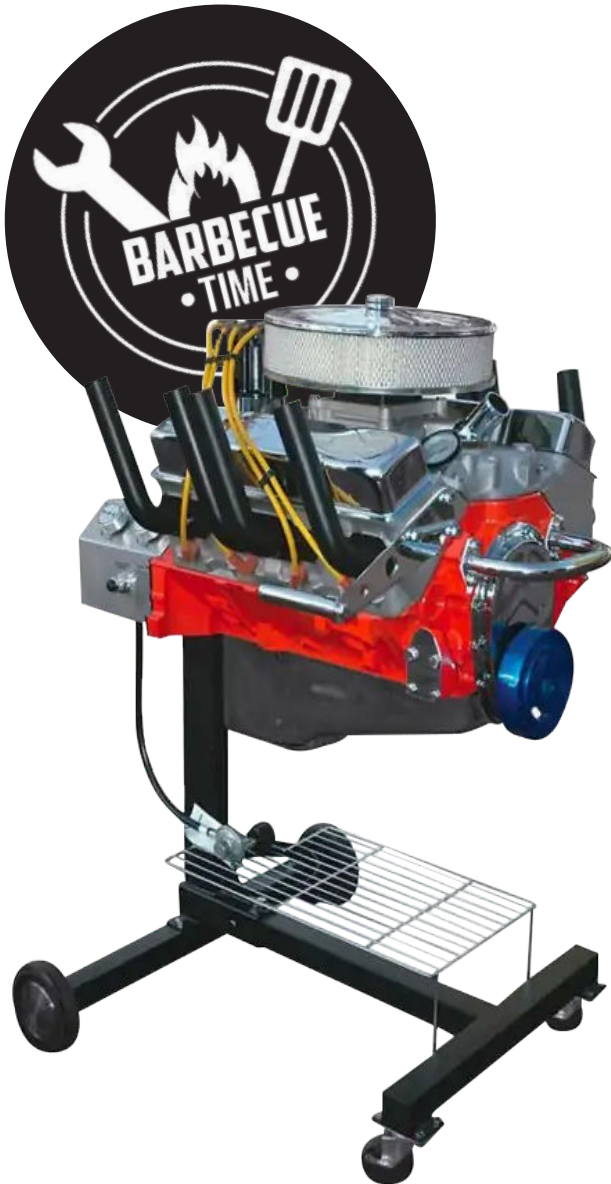
KT87D11X04A-KB  
**\$4500.00** excl  
 \$5,175.00 incl gst

**FREE**  
 KT1026CQ-AM / KT9TA5003

**FREE**  
 KTTS00208



# KING TONY



# V8 BBQ GIVEAWAY IS BACK!

## WE HAVE TWO V8 GAS BBQS TO GIVEAWAY!

RRP \$1500 EACH

**PURCHASE ANY KING TONY PRODUCT FEATURED IN  
THIS FLIER AND FILL OUT AN ENTRY FORM TO BE IN THE  
DRAW!**

**SEE BELOW FOR FULL DETAILS.**

King Tony V8 BBQ prize draw: to be eligible to win the Gas Burner BBQ as part of the promotion,  
1) Entrants must have purchased any King Tony products advertised in the flier during the promotional period 1st June 2022 until the 31st July 2022.  
2) Entrants must be able to provide proof of purchase of King Tony products purchased during the promotional period 1st June 2022 until the 31st July 2022 to be able to claim the prize.

All material such as images or dialogue produced in conjunction and as part of this promotion are considered property of Fox and Gunn Limited and can be used for promotional purposes.

To enter please send proof of purchase along with name and contact number to;

marketingsupport@foxgunn.co.nz or fill out the entry form in store, or post a picture to the King Tony Facebook page of the new product you have just purchased.

Prizes will be drawn after the promotional period has ended.

### TERMS AND CONDITIONS

**KING TONY TOOLS ARE WARRANTED AGAINST FAULTY MATERIALS AND MANUFACTURE:** All advertised items were available at date of publication from the King Tony master agent Fox & Gunn Ltd, Private Bag 94304, Pakuranga, Auckland. The distributor on this publication is an independent distributor who may not have all items available. Fox & Gunn Ltd will endeavour to maintain item availability during the promotional period. Where a product is out of stock there will be no rain checks on the supply of that product or the advertised pricing on that product outside of the promotional dates. If a normal price is shown, this is the national recommended end user price. Actual pricing varies from distributor to distributor. Ratchet style in socket sets may differ from that illustrated. All sizes are approximate only. Accessories shown do not come with the item unless specifically listed in the specifications. The colours in this catalogue may vary slightly from the actual item. E&OE. © Copyright 2021. Reproduction of this publication in whole or in part is prohibited without written approval from Fox & Gunn Ltd.

**ALL BONUS ITEMS AND FREE GIVE AWAY ITEMS** are strictly while stock lasts and no rain checks may be taken. All King Tony NZ social media activity is at the discretion of Fox & Gunn Ltd. All bonus items are only applicable when purchased in conjunction with the primary offer.

**KING TONY WORKSHOPS;** All "pre-orders" will be held until minimum order quantity has been reached. In order for your customer to pre-order one of the two King Workshops we require the following:

1. A confirmed order number from your business based on one of the product codes listed in the flyer

2. A deposit of \$100.00 is required to secure the pre-order.

Estimated delivery of your order will be October 2022. Final pre-order cut-off date is strictly 31 July 2022.

Although we reserve the right to cancel your order for the reasons below:

- Any reason which is beyond our reasonable control including; without being limited to; industrial action and or where the products cannot be manufactured because of shortage of materials, etc.
- The products have been destroyed or damaged before delivery to you.
- Significant shipping delays or failures by suppliers to manufacture the products to our required standards.

Should any of the above reasons occur we will notify you within 10 working days. Fox & Gunn Ltd shall not be liable to you or any other person for any loss or damages suffered due to a failure by us to perform our obligations.

Fox & Gunn Ltd reserve the right to close the pre-order process at any time and without notice due to orders meeting required MOQs.

JOIN US ON FACEBOOK AND INSTAGRAM



**KINGTONYNEWZEALAND**



**KINGTONY\_NZ**